

# S2-W8D2/D4

8" Alpine S-Series Subwoofer



## PRODUCT OVERVIEW

Add extra punch to your sound system with the Next-Generation Alpine S-Series Subwoofers; now redesigned for powerful and reliable bass performance at an approachable price point.

## PRODUCT FEATURES

**Enhanced Punch** - Featuring the lightweight yet sturdy combination of carbon fiber and polypropylene, the Next-Gen S-Series Subwoofer cone delivers deep, low-distortion bass that enhances the depth and richness of your music.

**Performance & Value** - With a power handling of 300W RMS and a peak power handling of 900W, the Next-Gen 8" S-Series Subwoofers deliver outstanding performance value. Boasting a wide frequency response range of 23Hz to 215Hz and a sensitivity of 83dB (1W/1m), these subs ensure powerful and accurate bass reproduction across a diverse range of music genres.

**HAMR Surround** - The Next-Generation S-Series Subwoofers contain Alpine's High Amplitude Multi-Roll (H.A.M.R.) Surround Technology. This rubber surround allows the subwoofer cone to efficiently move air while staying cool. This technology allows for 13mm of one-way cone excursion and creates incredible accuracy from the subwoofer.



## AMP RECOMMENDATIONS



### S2-A60M

With 600W of RMS power, the S2-A60M Amplifier is power matched perfectly for two (2) S-Series 8" Subwoofers.



### S2-A120M

Delivering an impressive 1200W RMS of power at 1 and 2 ohm, the S2-A120M is the ideal solution to power up to four (4) Alpine S-Series 8" Subwoofers.

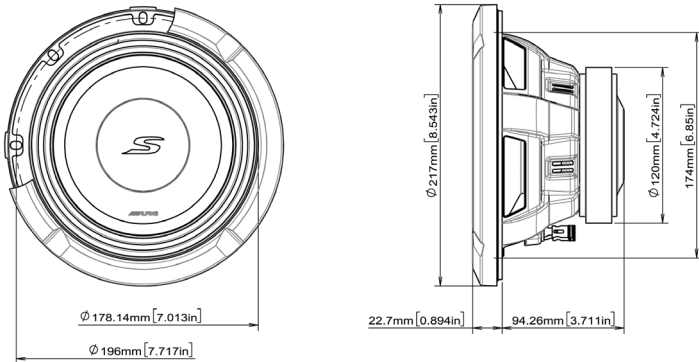
# S2-W8D2/D4

8" Alpine S-Series Subwoofer



## MAIN FEATURES

- Dual Voice Coil Subwoofers with Configuration Jumpers
- Carbon Fiber/Poly Propylene Cone
- Twist-Lock Grille Mount System
- High-Amplitude Multi-Roll (H.A.M.R.) Surround



## S2-W8D2 TECH SPECS

- **Power Handling:** 300W RMS / 900W Peak
- **Nominal Impedance:**  $2\Omega$
- **Frequency Response:** 23Hz - 215Hz
- **Sensitivity:** 82.6dB
- **X-Max (1-Way):** 13mm
- **Voice Coil:** 1.4"
- **Magnet Weight:** 34oz

## S2-W8D4 TECH SPECS

- **Power Handling:** 300W RMS / 900W Peak
- **Nominal Impedance:**  $4\Omega$
- **Frequency Response:** 23Hz - 215Hz
- **Sensitivity:** 82.7dB
- **X-Max (1-Way):** 13mm
- **Voice Coil:** 1.4"
- **Magnet Weight:** 34oz

		S2-W8D2/D4	S2-W10D2/D4	S2-W12D2/D4
Sealed Box Range	Net Internal Volume	0.15-0.50 ft <sup>3</sup>	0.4-0.85 ft <sup>3</sup>	0.55-1.0 ft <sup>3</sup>
	External Box Dimensions	13"x13"x5.5"	12"x12"x10.5"	14"x14"x11"
Recommended Sealed Box	Gross Internal Volume	0.30 ft <sup>3</sup>	0.58 ft <sup>3</sup>	0.85 ft <sup>3</sup>
	Net Internal Volume	0.27 ft <sup>3</sup>	0.53 ft <sup>3</sup>	0.79 ft <sup>3</sup>
	F3, Qtc	D2: 61 Hz, 0.72 D4: 57 Hz, 0.78	D2: 47 Hz, 0.73 D4: 48 Hz, 0.77	D2: 41 Hz, 0.88 D4: 42 Hz, 0.91
	Vented Box Range	Net Internal Volume	0.35-0.70 ft <sup>3</sup>	0.75-1.3 ft <sup>3</sup>
	Tuning	36-40Hz	35-39Hz	32-37Hz
Recommended Vented Box	External Box Dimensions	11"x8.5"x20"	23"x12"x11.5"	23"x12.5"x14"
	Gross Internal Volume	0.71 ft <sup>3</sup>	1.3 ft <sup>3</sup>	1.71 ft <sup>3</sup>
	Vent Area (dimensions)	5.25in <sup>2</sup> (7"x 0.75")	10in <sup>2</sup> (10"x 1")	12.5in <sup>2</sup> (12.5"x 1")
	Vent length	15.5"	17"	16"
	Vent Displacement	0.10 ft <sup>3</sup>	0.17 ft <sup>3</sup>	0.20 ft <sup>3</sup>
	Net Internal Volume (Vb)	0.58 ft <sup>3</sup>	1.08 ft <sup>3</sup>	1.45 ft <sup>3</sup>
	F3, ripple, Fb	D2: 31Hz, 1.1dB, 37Hz D4: 31Hz, 1.6dB, 37Hz	D2: 29Hz, 2.9dB, 35Hz D4: 29Hz, 2.3dB, 35Hz	D2: 30Hz, 3.3dB, 34Hz D4: 30Hz, 4.1dB, 34Hz

**Notes:**

- 1) Recommended enclosure net internal volume is based upon 3/4" (19mm) MDF enclosure construction.
- 2) Consult the table below for alternative enclosure net internal volume calculation.

Front Mount Displacement* (magnet in)	-0.03ft <sup>3</sup>	-0.05ft <sup>3</sup>	-0.06ft <sup>3</sup>
Reverse Mount Added Volume* (magnet out)	+0.03ft <sup>3</sup>	+0.05ft <sup>3</sup>	+0.07ft <sup>3</sup>

\*Based upon 3/4" (19mm) baffle thickness, with opening cut approximately to gasket inner diameter

		S2-W8D2/D4	S2-W10D2/D4	S2-W12D2/D4
Gamma Box Sealed	Net volume interne	0.15-0.50 pi <sup>3</sup>	0.4-0.85 pi <sup>3</sup>	0.55-1.0 pi <sup>3</sup>
Recommended Boîte Scellée	Dimensions extérieures	13 po x13 po x5.5 po	12 po x12 po x10.5 po	14 po x14 po x11 po
	Volume intérieur brut	0.30 pi <sup>3</sup>	0.58 pi <sup>3</sup>	0.85 pi <sup>3</sup>
	Volume intérieur Net ***	0.27 pi <sup>3</sup>	0.53 pi <sup>3</sup>	0.79 pi <sup>3</sup>
	F3, Qtc	D2: 61 Hz, 0.72 D4: 57 Hz, 0.78	D2: 47 Hz, 0.73 D4: 48 Hz, 0.77	D2: 41 Hz, 0.88 D4: 42 Hz, 0.91
Gamme charge bass-reflex	Volume net interne	0.35-0.70 pi <sup>3</sup>	0.75-1.3 pi <sup>3</sup>	1.0-1.5 pi <sup>3</sup>
	mise au point	36-40Hz	35-39Hz	32-37Hz
Recommended charge bass-reflex	Dimensions extérieures	11 po x8.5 po x20po	23 po x12 po x11.5 po	23 po x12.5 po x14 po
	Volume intérieur brut	0.71 pi <sup>3</sup>	1.3 pi <sup>3</sup>	1.71 pi <sup>3</sup>
	Aire de l'évent (dimensions)	5.25in <sup>2</sup> (7 po x 0.75 po)	10in <sup>2</sup> (10 po x 1 po)	12.5in <sup>2</sup> (12.5 po x 1 po)
	Longueur de l'évent	15.5 po	17 po	16 po
	déplacement de l'évent	0.10 pi <sup>3</sup>	0.17 pi <sup>3</sup>	0.20 pi <sup>3</sup>
	Volume intérieur Net (Vb)***	0.58 pi <sup>3</sup>	1.08 pi <sup>3</sup>	1.45 pi <sup>3</sup>
	F3, crête, Fb	D2: 31Hz, 1.1dB, 37Hz D4: 31Hz, 1.6dB, 37Hz	D2: 29Hz, 2.9dB, 35Hz D4: 29Hz, 2.3dB, 35Hz	D2: 30Hz, 3.3dB, 34Hz D4: 30Hz, 4.1dB, 34Hz